

FS-3200 Flat Screen Speaker System

A high-performance speaker for today's flat screen televisions



The decorative side panels are finished in a choice of automotive-grade Metallic Silver or a rich-looking Satin Black paint.



The FS-3200 LR and FS-3200 C speakers form the heart of a home theater loudspeaker system to compliment today's latest Flat Screen televisions. Their overall size, thin depth and beautiful finish options assure that they will fit appropriately in virtually every installation.

However, these speakers have several performance and mounting innovations that make them far more capable than ordinary "on-wall" speakers.

Unlike conventional flat-panel speakers, the FS-3200's do not require a subwoofer to deliver full-bodied, exciting musical performance. All by themselves, these speakers add great sound to installations where space or décor precludes using a subwoofer. By utilizing two high-power 4½" drivers and two 4½" Pressure Drivers in a tuned enclosure, the bass response extends to within an octave of the very lowest musical notes while maximizing power handling and minimizing distortion.

The tweeter of the FS-3200 LR is oriented at one end of the speaker, instead of in the middle. This clever design feature means the LR speakers can be "flipped" upside down—tweeter up or down—for optimum acoustic alignment with the FS-3200 C tweeter, resulting in the best sound. Therefore, whether the center channel is mounted above or below the television, the 3200 LR and C will always be in the correct acoustic alignment with each other.

The FS-3200 LR and C speakers have two rear-panel controls—a 3-position HF Energy switch and a 2-position Boundary Compensation switch—to optimize the speakers' performance regardless of their location or placement. These controls allow the FS-3200 LR and C to always sound their best, regardless of room acoustics or position.

With the FS-3200 series, Atlantic Technology has raised the standards for flat-screen speakers in terms of acoustic performance, mounting flexibility, listening room sound adjustment, and intelligent, consumer-friendly design.

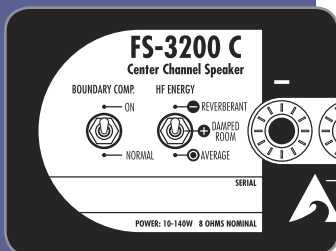
FS-3200 Flat Screen Speaker System

Mounting Options

Four mounting options, included with speakers:



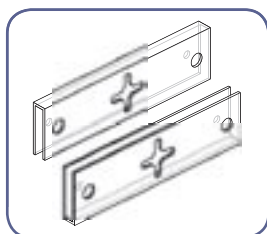
Wall mount option



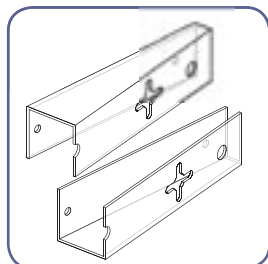
Boundary Compensation and High Frequency Energy switches



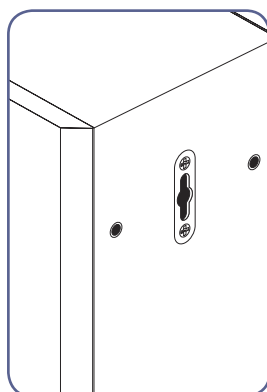
An optional sand-fillable floorstand transforms FS-3200 LR into sleek freestanding column speaker, perfectly complimenting table-mounted video displays.



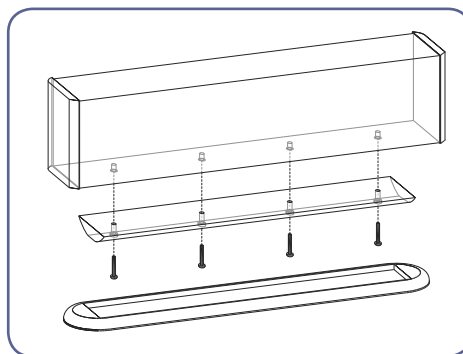
1. "Straight Ahead" wall bracket holds the speaker 1/2" off the wall pointing straight ahead.



2. "Angled" wall bracket—toes the LR speaker in towards the listening area OR angles the Center speaker up or down, depending on whether it's mounted above or below the video display.



4. Two-way keyhole mount (on the rear of the speaker), so the LR speaker can be mounted "tweeter up" or "tweeter down," to align with the Center's tweeter.



3. Atlantic's exclusive center channel rocker base, so FS-3200C can also be used as freestanding speaker on TV or on a shelf in addition to wall mounting.

Specifications

	FS-3200 LR	FS-3200 C
Type	2-way M-T-M array with Bass Pressure Drivers	2-way M-T-M array with Bass Pressure Drivers
Drivers	Woofer (2) 4 1/2" (115mm) GLH [§] Pressure Drivers (2) 4 1/2" (115mm) GLH [§] Tweeter (1) 1" (25mm) soft dome	(2) 4 1/2" (115mm) GLH [§] (2) 4 1/2" (115mm) GLH [§] (1) 1" (25mm) soft dome
Frequency Response	75Hz - 20kHz ±3dB	75Hz - 20kHz ±3dB
Nominal Impedance	8 Ohms	8 Ohms
Crossover Frequency	3.75kHz, 3rd order	3.5kHz, 3rd order
Sensitivity	89dB	89dB
Recommended Power	10 - 140 Watts RMS	10 - 140 Watts RMS
Magnetic Shielding	Yes	Yes
Dimensions w/ grilles (W x H x D)	6.5 x 25 x 5"	25 x 6.5 x 5"*
Net Weight	16lbs; 7.3kg each	16.5lbs; 7.5kg w/base

[§]Graphite Loaded Homopolymer
*Height without base.